

ROADMAX® RX2

Evluma's Next Generation Roadway Luminaire LED ROADWAY LIGHTING

Applications:

Residential streets,
local and major roadways, parking lots,
campuses, industrial parks.

RX2 Wattage Range: 70-220W RX2 Lumen Range: 7,920-28,000 lumens



RoadMax RX2 delivers high-performance roadway distributions coupled with exceptional glare control. This sleek, utility-grade luminaire is easily configurable to meet a multitude of application requirements. RX2 is one model in the series. See also, RX1 & RX3.

Replaces 150W-400W HID

The RoadMax RX2 is a dual light engine luminaire with a lumen output ranging from 7,920 - 28,000 lumens and wattages ranging from 70 - 220 watts. Lumen output and wattage can be changed in the field through your choice of optional manual or wireless controls.

Construction & Finish

Cast aluminum housing with TGIC-free, polyester powder-coat in a variety of colors. Hinged tool-less access panel for wiring access. The 4-bolt tenon clamp accepts a 2" or 1-1/4" diameter arm. Diecast mounting stop. Step adjustment of +/- 5° tilt plus integral bubble level for luminaire leveling. Removable wildlife guard. Coastal version with enhanced hardware available meeting 3000-hour salt spray.

Thermal Protection

Solid aluminum housing provides excellent passive cooling for all electronics. LED & driver life is ensured by thermal management protection that limits current levels to the LEDs based on temperature. Luminaire is rated for full performance at -40°C min to 50°C max ambient temperature.

Lumen Maintenance

Projected per IES TM-21-21 at 25°C and based on LM80 (10,000 hr testing)
at 25,000 hours L91
at 50,000 hours L95
at 60,000 hours L89

Warranty

Ten-year warranty.



LED & Optical

High-efficacy LEDs with color temperature options of 2700 - 5000 Kelvin and CRI > 70. High-performance Type II, Type III, Type IV and Type V primary borosilicate optics rated at IP66. Factory or field-installable secondary lens available on all optics for managing glare while achieving superior pole spacing. All configurations are Zero Uplight (U0 BUG). Field-installable light trespass shields are available.

Electrical

Driver options: 120-277 VAC 60 Hz or 277-480 VAC 60 Hz. 0-10V ANSI C137.1-2019 (9-Volt).

Replaceable surge protection. 20kV/10kA surge protection per ANSI C136.2 - 2018 Extreme rating.

Three-position terminal block standard with optional pigtails. Four-position terminal block available by request. Separate electronics compartment is rated IP66.

Controls

Continuously dimmable driver. 0-10V interface standard with 7-pin receptacle option. Dimming minimum to 10% of nominal wattage. Manual wattage control (FAO) with stepped dimming optional.

Custom packages includes Photocontrol FailSafe™ and compatibility with the Bluetooth BLE ConnectLED™ mobile app. Can be combined with Evluma's integrated photocell, 3-pin, or 7-pin receptacles.

ROADMAX RX2

PRODUCT CONFIGURATIONS

SAMPLE NUMBER: RX2-220E3T4G0-S7HGL0-JFBN-PC1

| FAMILY ID | WATTS | OUTPUT | CCT (K) | DISTRIBUTION ¹ | LENS | PCR / RECEPTACLE / FAILSAFE |
|----------------------|---|-----------------|--|--|--|---|
| RX2 = RoadMax medium | 070 = 70 085 = 85 100 = 100 120 = 120 140 = 140 160 = 160 180 = 180 200 = 200 220 = 220 | E = high output | 7 = 2700 3 = 3000 4 = 4000 5 = 5000 | T2 = type II T3 = type III T4 = type IV T5 = type V | G0= none G1= diffused glare control | S3= 3 pin receptacle only S7= 7 pin receptacle only (0-10V) SP= Integrated Photocell F3= S3 pin + Failsafe/CLED F7= S7 pin + Failsafe/CLED FP= Integrated PC + Failsafe/CLED |

| HOUSING | LEADS | SURGE PROTECTION | Features 1 | DRIVER/INPUT (V) | Features 2 |
|---|--|-------------------------|---------------------|---|------------------------------------|
| HG = standard gray HB = standard black HZ = standard bronze ZG = coastal gray ZB = coastal black ZZ = coastal bronze | L0 = none L6 = 6' L1 = 10' L2 = 20' | A = Surge 20kV/10kA SPD | 0 = none F = FAO | B = 120-277VAC D = 277-480VAC ² | 0 = none N = NEMA wattage label |

¹ Nominal IES Type subject to typical variation. Please review individual IES files
² 277-480VAC is not available for SP, F3, F7, or FP.

LENS

The primary glass RX2 optics are designed to deliver precise, evenly-distributed light with a low veiling luminance for Type II, Type III, Type IV and Type V distributions.

Choose G1 to add a secondary lens made from a specially formulated LED acrylic for exceptional glare control.

PCR/RECEPTACLE/FAILSAFE

All photocell receptacles are rotatable. Wireless photocell not provided.

Integrated Photocell (P)

Evluma's integrated photocell shortens installation time. This UV-resistant, polycarbonate photocell meets FM 4473 impact resistance. Rotatable 360°.

ConnectLED™ (CLED)

Order the RX2 configured for compatibility with Evluma's ConnectLED app.

ConnectLED uses Bluetooth BLE technology to securely control individual luminaires. ConnectLED is available as an Apple or Android app.

Photocontrol

Failsafe™ (Failsafe)

Photocontrol Failsafe eliminates the need to replace failed photocells, saving truck-rolls. Combine this patented technology with S3, S7 receptacles or the P option. Packaged with ConnectLED.

HOUSING

Standard housings are tested to 1000hrs salt/fog. Coastal housings are tested to 3000hrs and include non-corrosive hardware. Recommended for installation within 2000 ft from saltwater. Custom colors available.

Features 1: FAO

Field Adjustable Wattage Selector (FAO) Manually adjust luminaire wattage and lumen output in the field using the FAO. Allows a single sku to be adapted to multiple applications or site specific requirements. Seven output levels. FAO (AF) combined with S3 is not continuously dimmable. Stepped dimming only.

| SWITCH POSITION | INPUT WATTS MULTIPLIER | DELIVERED LUMENS MULTIPLIER |
|-----------------|------------------------|-----------------------------|
| A | 100% | 100% |
| B | 89% | 91% |
| C | 77% | 84% |
| D | 65% | 72% |
| E | 54% | 61% |
| F | 43% | 50% |
| G | 33% | 39% |
| H | 23% | 28% |

SPECIAL OPTIONS

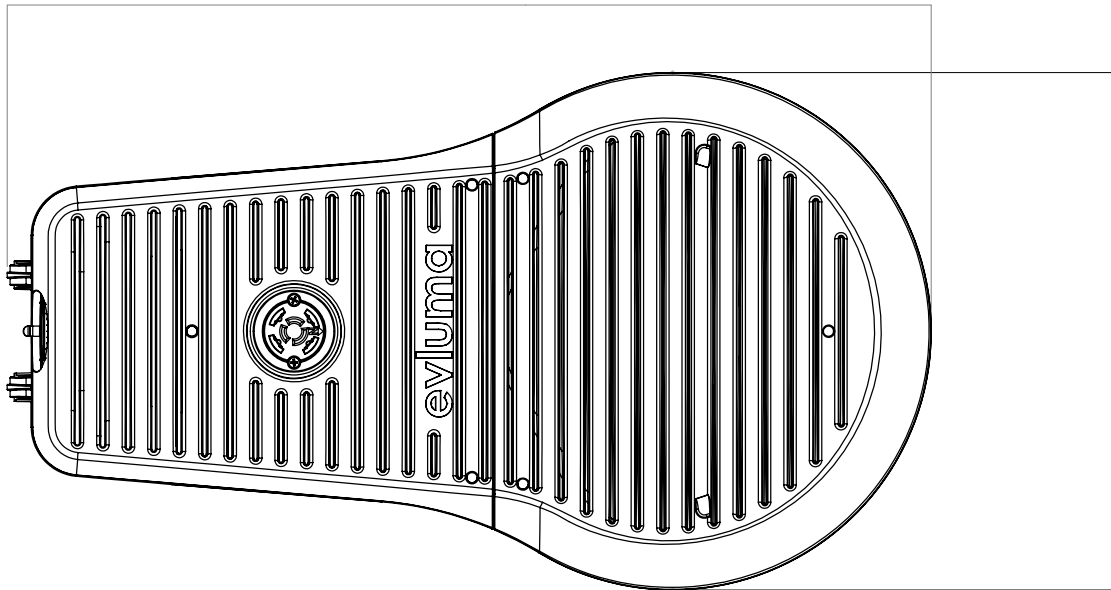
- CAP = shorting cap
- PC1 = long life NEMA photocell 120-277VAC
- PC2 = long life NEMA photocell 480VAC

Multiply the nominal wattage and/or lumens to arrive at reduced values. Typical accuracy is +/- 10%. Select the A position if using with an S7 socket and wireless node.

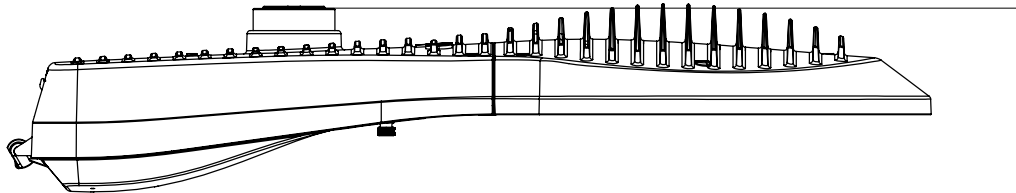


RX2 DIMENSIONS

28.57 in
72.60 cm



16 in
40.60 cm



5.74 in
14.60 cm



Certifications

UL 1598. MET Labs
IP66. IEC 60598-1

C136.31-2018
Level2/3G Vibration

ANSI C136.2-2023
20kV/10kA Extreme

Ratings

Rated electrical life =
100,00 hours

-40°C Min / 50°C Max Temp

THD <20% 120-277 VAC
PF >90% 120-277 VAC
THD <20% 277-480 VAC
PF >90% 277-480 VAC

Effective Projected Area
(EPA) >.6 sq ft

Dark Sky Approved

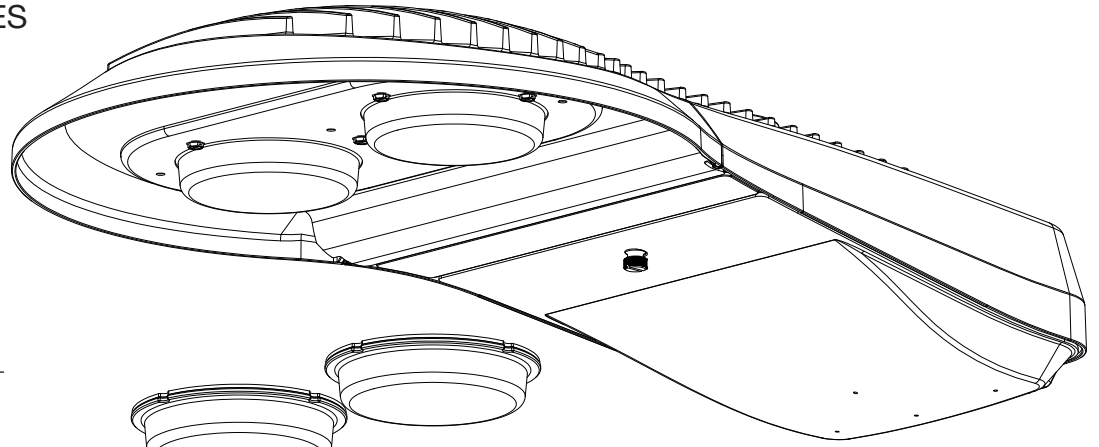
Multiple RX2 models have
received the IDA Dark Sky
Seal of Approval. darksky.org.

Models offered in 3000K
(3) or 2700K (7) are IDA
approved. All RX2 are U0.

Shipping

Single unit Weight = 24lbs
LTL pallet qty 18

RX2 LENS ACCESSORIES



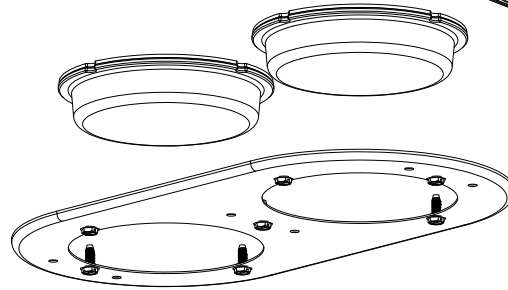
SECONDARY LENS FOR GLARE CONTROL

Push Veiling Luminance even lower while maintaining competitive pole spacing within RP-8 recommendations.

RX2 can be ordered from the factory with a set of secondary lenses installed for additional glare control, or order the set separately for installation in the field at a later date.

Prioritize glare reduction while maintaining high roadway performance.

The glare control lens is made from a specially formulated optical acrylic for use with LEDs. Coastal version available. To order separately see the catalog number below.



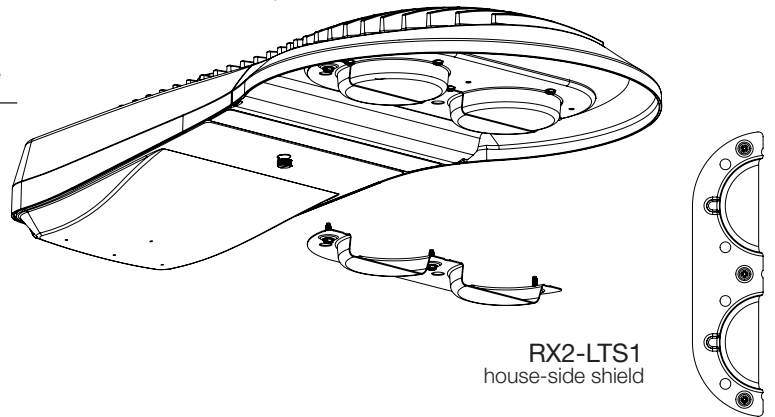
RX2-LENSG1

| FAMILY ID | STYLE | COLOR |
|-----------|---|---|
| RX2 | LENSG1 = secondary lens for glare control | HG = standard gray HB = standard black HZ = standard bronze ZG = coastal gray ZB = coastal black ZZ = coastal bronze |

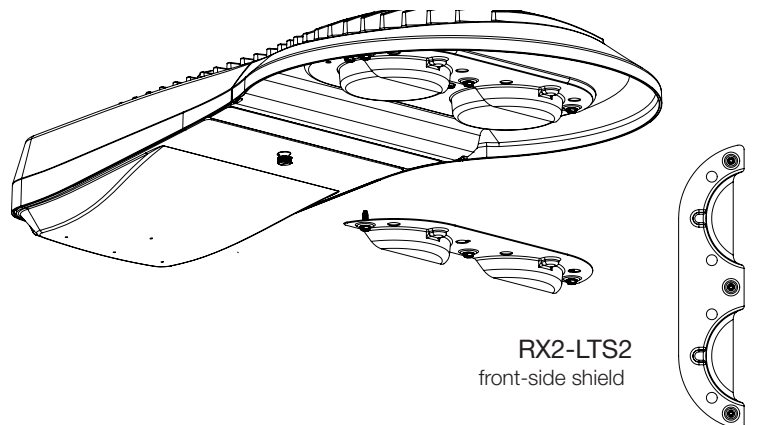
LIGHT TRESPASS SHIELDS

Reduce light trespass and discomfort glare. Field installable shields can be mounted over primary optics or secondary lenses front or back. Shields maintain No Uplight (U0) rating and add no additional EPS. Coastal version available.

| FAMILY ID | STYLE | COLOR |
|-----------|----------------------------------|---|
| RX2 | LTS1 = house-side shield (large) | HG = standard gray HB = standard black HZ = standard bronze |
| | LTS2 = front-side shield (small) | ZG = coastal gray ZB = coastal black ZZ = coastal bronze |



RX2-LTS1
house-side shield



RX2-LTS2
front-side shield

RX2 PERFORMANCE

Nominal lumen values reported. Individual fixtures may vary ± 10%.

| WATTAGE | DISTRIBUTION Type, Lm/W & BUG | LUMENS (all CCT ≥ 70 CRI) | | | | | | | |
|--------------------|----------------------------------|---------------------------|----------|----------|----------|---------------------------|----------|----------|----------|
| | | G0 option - primary lens | | | | G1 option - glare control | | | |
| | | 2700K | 3000K | 4000K | 5000K | 2700K | 3000K | 4000K | 5000K |
| 70 E Output | II | 9070 | 10110 | 10390 | 10460 | 8060 | 8990 | 9240 | 9300 |
| | Lm/W | 130 | 144 | 148 | 149 | 115 | 128 | 132 | 133 |
| | BUG | B2-U0-G2 | B2-U0-G2 | B2-U0-G2 | B2-U0-G2 | B2-U0-G2 | B2-U0-G2 | B2-U0-G2 | B2-U0-G2 |
| | III | 9050 | 10090 | 10370 | 10430 | 8030 | 8960 | 9210 | 9270 |
| | Lm/W | 129 | 144 | 148 | 149 | 115 | 128 | 132 | 132 |
| | BUG | B2-U0-G2 | B2-U0-G2 | B2-U0-G2 | B2-U0-G2 | B2-U0-G2 | B2-U0-G3 | B2-U0-G3 | B2-U0-G3 |
| | IV | 8980 | 10030 | 10290 | 10350 | 7920 | 8840 | 9070 | 9120 |
| | Lm/W | 128 | 143 | 147 | 148 | 113 | 126 | 130 | 130 |
| | BUG | B2-U0-G2 | B2-U0-G2 | B2-U0-G2 | B2-U0-G2 | B3-U0-G2 | B3-U0-G2 | B3-U0-G2 | B3-U0-G2 |
| 85 E Output | V | 9810 | 10940 | 11240 | 11310 | 8750 | 9760 | 10030 | 10090 |
| | Lm/W | 140 | 156 | 161 | 162 | 125 | 139 | 143 | 144 |
| | BUG | B3-U0-G2 | B3-U0-G2 | B3-U0-G2 | B3-U0-G2 | B3-U0-G2 | B3-U0-G2 | B3-U0-G2 | B3-U0-G2 |
| | II | 10750 | 11990 | 12320 | 12390 | 9570 | 10670 | 10970 | 11040 |
| | Lm/W | 126 | 141 | 145 | 146 | 113 | 126 | 129 | 130 |
| | BUG | B2-U0-G2 | B2-U0-G2 | B2-U0-G2 | B2-U0-G2 | B2-U0-G | B2-U0-G2 | B2-U0-G2 | B2-U0-G2 |
| | III | 10730 | 11970 | 12300 | 12380 | 9530 | 10630 | 10920 | 10990 |
| | Lm/W | 126 | 141 | 145 | 146 | 112 | 125 | 128 | 129 |
| | BUG | B2-U0-G2 | B2-U0-G3 | B2-U0-G3 | B2-U0-G3 | B2-U0-G3 | B2-U0-G3 | B2-U0-G3 | B2-U0-G3 |
| 100 E Output | IV | 10650 | 11900 | 12210 | 12270 | 9380 | 10470 | 10750 | 10800 |
| | Lm/W | 125 | 140 | 144 | 144 | 110 | 123 | 126 | 127 |
| | BUG | B2-U0-G2 | B2-U0-G3 | B2-U0-G3 | B2-U0-G3 | B3-U0-G2 | B3-U0-G2 | B3-U0-G2 | B3-U0-G2 |
| | V | 11630 | 12970 | 13340 | 13420 | 10380 | 11580 | 11900 | 11970 |
| | Lm/W | 137 | 153 | 157 | 158 | 122 | 136 | 140 | 141 |
| | BUG | B3-U0-G2 | B4-U0-G2 | B4-U0-G2 | B4-U0-U2 | B3-U0-G2 | B3-U0-G2 | B3-U0-G2 | B3-U0-G2 |
| | II | 12340 | 13760 | 14150 | 14230 | 10990 | 12260 | 12600 | 12670 |
| | Lm/W | 123 | 138 | 142 | 142 | 110 | 123 | 126 | 127 |
| | BUG | B2-U0-G2 | B2-U0-G2 | B2-U0-G2 | B2-U0-G2 | B2-U0-G2 | B2-U0-G2 | B2-U0-G2 | B2-U0-G2 |
| 120 E Output | III | 12320 | 13750 | 14130 | 14210 | 10940 | 12200 | 12550 | 12620 |
| | Lm/W | 123 | 138 | 141 | 142 | 109 | 122 | 126 | 126 |
| | BUG | B2-U0-G3 | B2-U0-G3 | B2-U0-G3 | B2-U0-G3 | B2-U0-G3 | B2-U0-G3 | B2-U0-G3 | B2-U0-G3 |
| | IV | 12240 | 13670 | 14030 | 14100 | 10750 | 12010 | 12320 | 12390 |
| | Lm/W | 122 | 137 | 140 | 141 | 108 | 120 | 123 | 124 |
| | BUG | B2-U0-G3 | B3-U0-G3 | B3-U0-G3 | B3-U0-G3 | B3-U0-G2 | B3-U0-G2 | B3-U0-G3 | B3-U0-G3 |
| | V | 13360 | 14900 | 15320 | 15410 | 11920 | 13300 | 13670 | 13750 |
| | Lm/W | 134 | 149 | 153 | 154 | 119 | 133 | 137 | 138 |
| | BUG | B4-U0-G2 | B4-U0-G2 | B4-U0-G2 | B4-U0-G2 | B3-U0-G2 | B3-U0-G2 | B3-U0-G2 | B3-U0-G2 |
| 120 E Output | II | 14450 | 16110 | 16560 | 16660 | 12870 | 14350 | 14750 | 14840 |
| | Lm/W | 120 | 134 | 138 | 139 | 107 | 120 | 123 | 124 |
| | BUG | B2-U0-G2 | B2-U0-G2 | B2-U0-G2 | B2-U0-G2 | B3-U0-G3 | B3-U0-G3 | B3-U0-G3 | B3-U0-G3 |
| | III | 14430 | 16090 | 16540 | 16640 | 12810 | 14290 | 14690 | 14780 |
| | Lm/W | 120 | 134 | 138 | 139 | 107 | 119 | 122 | 123 |
| | BUG | B2-U0-G3 | B2-U0-G3 | B2-U0-G3 | B2-U0-G3 | B2-U0-G3 | B3-U0-G3 | B3-U0-G3 | B3-U0-G3 |
| | IV | 14320 | 16000 | 16410 | 16500 | 12580 | 14050 | 14420 | 14490 |
| | Lm/W | 119 | 133 | 137 | 137 | 105 | 117 | 120 | 121 |
| | BUG | B3-U0-G3 | B3-U0-G3 | B3-U0-G3 | B3-U0-G3 | B3-U0-G3 | B3-U0-G3 | B3-U0-G3 | B3-U0-G3 |
| 120 E Output | V | 15640 | 17440 | 17930 | 18040 | 13960 | 15570 | 16000 | 16100 |
| | Lm/W | 130 | 145 | 149 | 150 | 116 | 130 | 133 | 134 |
| | BUG | B4-U0-G2 | B4-U0-G2 | B4-U0-G2 | B4-U0-G2 | B3-U0-G2 | B3-U0-G2 | B3-U0-G2 | B3-U0-G2 |

| WATTAGE | DISTRIBUTION Type, Lm/W & BUG | LUMENS (all CCT ≥ 70 CRI) | | | | | | | |
|--------------------|----------------------------------|---------------------------|----------|----------|----------|---------------------------|----------|----------|----------|
| | | G0 option - primary lens | | | | G1 option - glare control | | | |
| | | 2700K | 3000K | 4000K | 5000K | 2700K | 3000K | 4000K | 5000K |
| 140 E Output | II | 16430 | 18330 | 18840 | 18960 | 14630 | 16320 | 16780 | 16880 |
| | Lm/W | 117 | 131 | 135 | 135 | 105 | 117 | 120 | 121 |
| | BUG | B2-U0-G2 | B3-U0-G2 | B3-U0-G2 | B3-U0-G2 | B3-U0-G3 | B3-U0-G3 | B3-U0-G3 | B3-U0-G3 |
| | III | 16410 | 18310 | 18820 | 18930 | 14570 | 16250 | 16710 | 16810 |
| | Lm/W | 117 | 131 | 134 | 135 | 104 | 116 | 119 | 120 |
| | BUG | B2-U0-G3 | B3-U0-G3 | B3-U0-G3 | B3-U0-G3 | B3-U0-G3 | B3-U0-G3 | B3-U0-G3 | B3-U0-G3 |
| | IV | 16290 | 18250 | 18680 | 18770 | 14290 | 16000 | 16380 | 16460 |
| | Lm/W | 117 | 130 | 134 | 134 | 102 | 114 | 117 | 118 |
| | BUG | B3-U0-G3 | B3-U0-G3 | B3-U0-G3 | B3-U0-G3 | B3-U0-G3 | B3-U0-G3 | B4-U0-G3 | B4-U0-G3 |
| 160 E Output | V | 17790 | 19840 | 20400 | 20520 | 15880 | 17710 | 18200 | 18310 |
| | Lm/W | 127 | 142 | 146 | 147 | 113 | 127 | 130 | 131 |
| | BUG | B4-U0-G2 | B4-U0-G2 | B4-U0-G2 | B4-U0-G2 | B3-U0-G2 | B3-U0-G2 | B3-U0-G2 | B3-U0-G2 |
| | II | 18340 | 20450 | 21020 | 21150 | 16120 | 17980 | 18480 | 18590 |
| | Lm/W | 115 | 128 | 131 | 132 | 101 | 112 | 116 | 116 |
| | BUG | B3-U0-G3 | B3-U0-G3 | B3-U0-G3 | B3-U0-G3 | B3-U0-G3 | B3-U0-G3 | B3-U0-G3 | B3-U0-G3 |
| | III | 18280 | 20390 | 20960 | 21080 | 16230 | 18100 | 18600 | 18720 |
| | Lm/W | 114 | 127 | 131 | 132 | 101 | 113 | 116 | 117 |
| | BUG | B3-U0-G3 | B3-U0-G3 | B3-U0-G3 | B3-U0-G3 | B3-U0-G3 | B3-U0-G3 | B3-U0-G3 | B3-U0-G3 |
| 180 E Output | IV | 18150 | 20270 | 20800 | 20910 | 15890 | 17740 | 18210 | 18300 |
| | Lm/W | 113 | 127 | 130 | 131 | 99 | 111 | 114 | 114 |
| | BUG | B3-U0-G3 | B3-U0-G3 | B3-U0-G3 | B3-U0-G3 | B3-U0-G3 | B4-U0-G3 | B4-U0-G3 | B4-U0-G3 |
| | V | 19810 | 22100 | 22710 | 22850 | 17680 | 19720 | 20270 | 20390 |
| | Lm/W | 124 | 138 | 142 | 143 | 111 | 123 | 127 | 127 |
| | BUG | B4-U0-G2 | B4-U0-G2 | B4-U0-G2 | B4-U0-G2 | B4-U0-G3 | B4-U0-G3 | B4-U0-G3 | B4-U0-G3 |
| | II | 20090 | 22400 | 23030 | 23170 | 17660 | 19690 | 20240 | 20360 |
| | Lm/W | 112 | 124 | 128 | 129 | 98 | 109 | 112 | 113 |
| | BUG | B3-U0-G3 | B3-U0-G3 | B3-U0-G3 | B3-U0-G3 | B3-U0-G3 | B3-U0-G3 | B3-U0-G3 | B3-U0-G3 |
| 200 E Output | III | 20020 | 22330 | 22960 | 23100 | 17780 | 19830 | 20380 | 20500 |
| | Lm/W | 111 | 124 | 128 | 128 | 99 | 110 | 113 | 114 |
| | BUG | B3-U0-G3 | B3-U0-G3 | B3-U0-G3 | B3-U0-G3 | B3-U0-G4 | B3-U0-G4 | B3-U0-G4 | B3-U0-G4 |
| | IV | 19870 | 22190 | 22770 | 22890 | 17390 | 19420 | 19930 | 20030 |
| | Lm/W | 110 | 123 | 127 | 127 | 97 | 108 | 111 | 111 |
| | BUG | B3-U0-G3 | B3-U0-G3 | B3-U0-G3 | B3-U0-G3 | B4-U0-G3 | B4-U0-G3 | B4-U0-G3 | B4-U0-G3 |
| | V | 21700 | 24200 | 24880 | 25030 | 19370 | 21600 | 22210 | 22340 |
| | Lm/W | 121 | 134 | 138 | 139 | 108 | 120 | 123 | 124 |
| | BUG | B4-U0-G2 | B4-U0-G2 | B4-U0-G2 | B4-U0-G2 | B4-U0-G3 | B4-U0-G3 | B4-U0-G3 | B4-U0-G3 |
| 220 E Output | II | 21710 | 24220 | 24890 | 25050 | 19090 | 21290 | 21880 | 22020 |
| | Lm/W | 109 | 121 | 124 | 125 | 95 | 106 | 109 | 110 |
| | BUG | B3-U0-G3 | B3-U0-G3 | B3-U0-G3 | B3-U0-G3 | B3-U0-G3 | B3-U0-G3 | B3-U0-G3 | B3-U0-G3 |
| | III | 21650 | 24150 | 24820 | 24970 | 19220 | 21430 | 22030 | 22160 |
| | Lm/W | 108 | 121 | 124 | 125 | 96 | 107 | 110 | 111 |
| | BUG | B3-U0-G3 | B3-U0-G3 | B3-U0-G3 | B3-U0-G3 | B3-U0-G4 | B3-U0-G4 | B3-U0-G4 | B3-U0-G4 |
| | IV | 21490 | 24000 | 24630 | 24750 | 18770 | 20960 | 21510 | 21620 |
| | Lm/W | 107 | 120 | 123 | 124 | 94 | 105 | 108 | 108 |
| | BUG | B3-U0-G3 | B3-U0-G3 | B3-U0-G4 | B3-U0-G4 | B4-U0-G3 | B4-U0-G3 | B4-U0-G3 | B4-U0-G3 |
| 220 E Output | V | 23460 | 26170 | 26900 | 27060 | 20940 | 23360 | 24010 | 24150 |
| | Lm/W | 117 | 131 | 135 | 135 | 105 | 117 | 120 | 121 |
| | BUG | B4-U0-G2 | B4-U0-G2 | B4-U0-G2 | B4-U0-G2 | B4-U0-G3 | B4-U0-G3 | B4-U0-G3 | B4-U0-G3 |
| | II | 23220 | 25900 | 26630 | 26790 | 20420 | 22770 | 23410 | 23550 |
| | Lm/W | 106 | 118 | 121 | 122 | 93 | 104 | 106 | 107 |
| | BUG | B3-U0-G3 | B3-U0-G3 | B3-U0-G3 | B3-U0-G3 | B3-U0-G3 | B3-U0-G3 | B3-U0-G3 | B3-U0-G3 |
| | III | 23160 | 25830 | 26550 | 26710 | 20550 | 22920 | 23560 | 23700 |
| | Lm/W | 105 | 117 | 121 | 121 | 93 | 104 | 107 | 108 |
| | BUG | B3-U0-G3 | B3-U0-G3 | B3-U0-G3 | B3-U0-G3 | B3-U0-G4 | B3-U0-G4 | B3-U0-G4 | B3-U0-G4 |
| 220 E Output | IV | 22990 | 25670 | 26350 | 26480 | 20030 | 22370 | 22960 | 23080 |
| | Lm/W | 105 | 117 | 120 | 120 | 91 | 102 | 104 | 105 |
| | BUG | B3-U0-G3 | B3-U0-G4 | B3-U0-G4 | B3-U0-G4 | B4-U0-G3 | B4-U0-G3 | B4-U0-G3 | B4-U0-G3 |
| | V | 25090 | 27980 | 28760 | 28940 | 22400 | 24980 | 25680 | 25830 |
| | Lm/W | 114 | 127 | 131 | 132 | 102 | 114 | 117 | 117 |
| | BUG | B4-U0-G2 | B5-U0-G3 | B5-U0-G3 | B5-U0-G3 | B4-U0-G3 | B4-U0-G3 | B4-U0-G3 | B4-U0-G3 |